

C 521BEE

**COMPACT
DISC PLAYER**

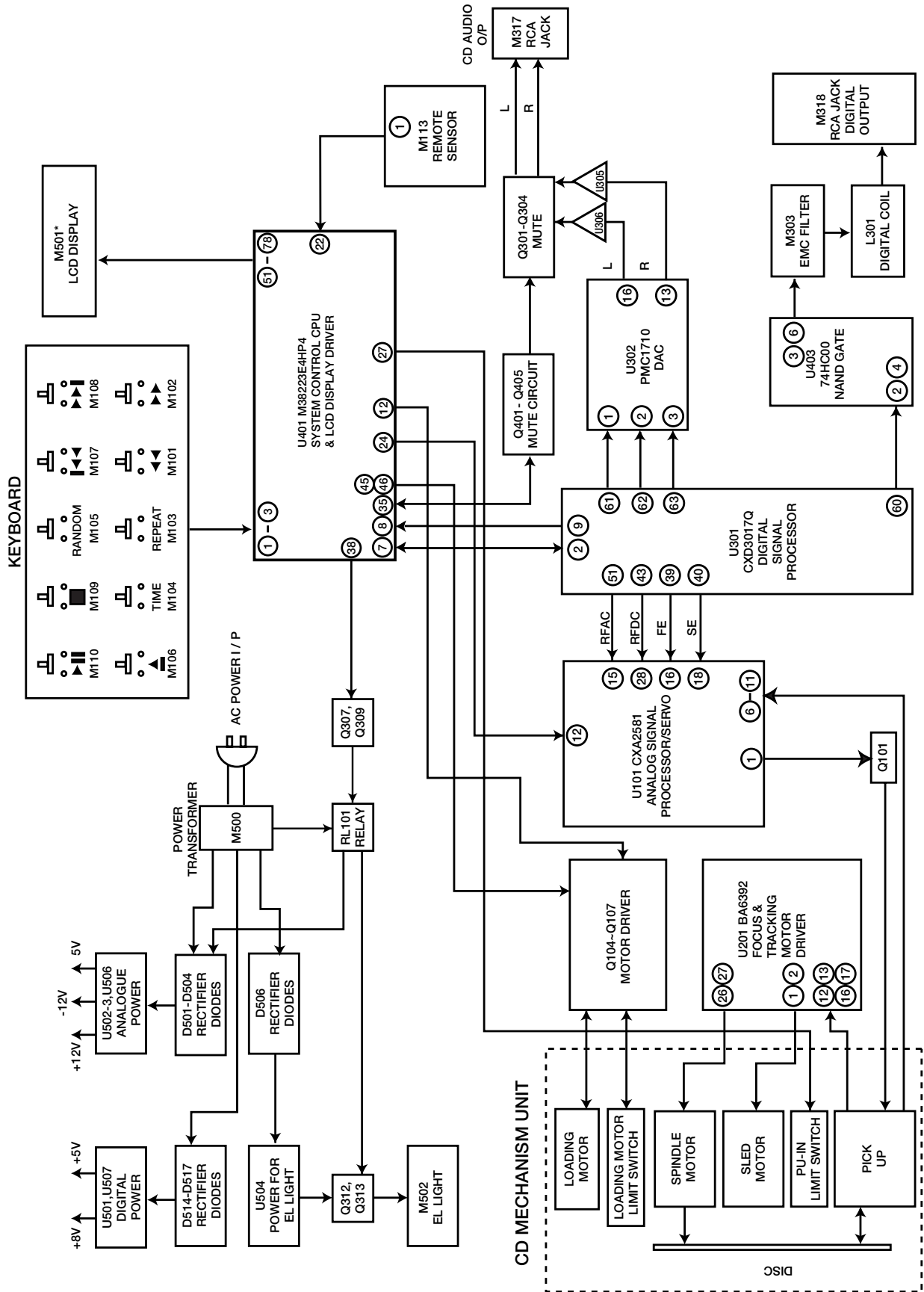
C 521BEE

**COMPACT
DISC PLAYER**

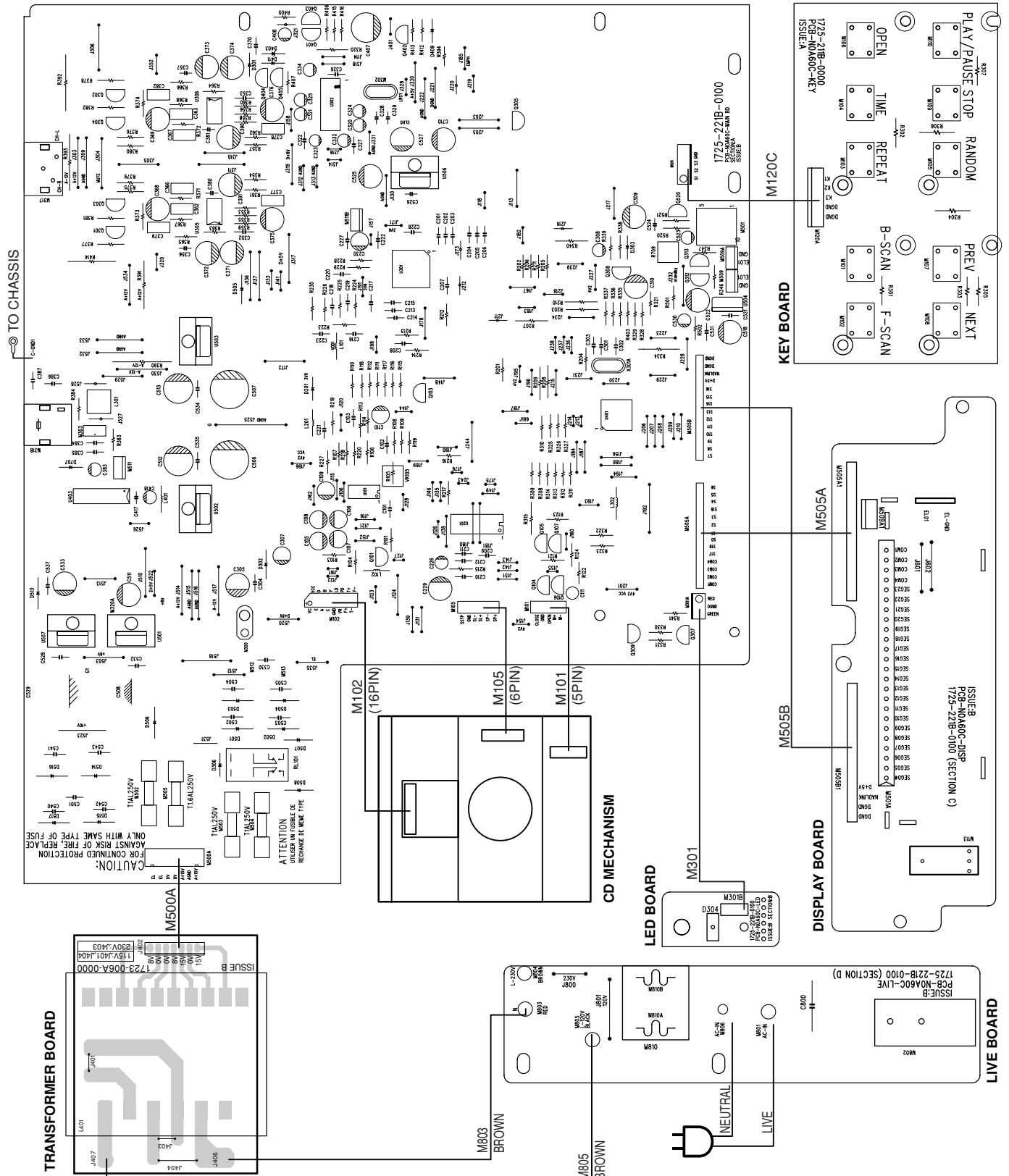
SERVICE MANUAL

NAD

BLOCK DIAGRAM

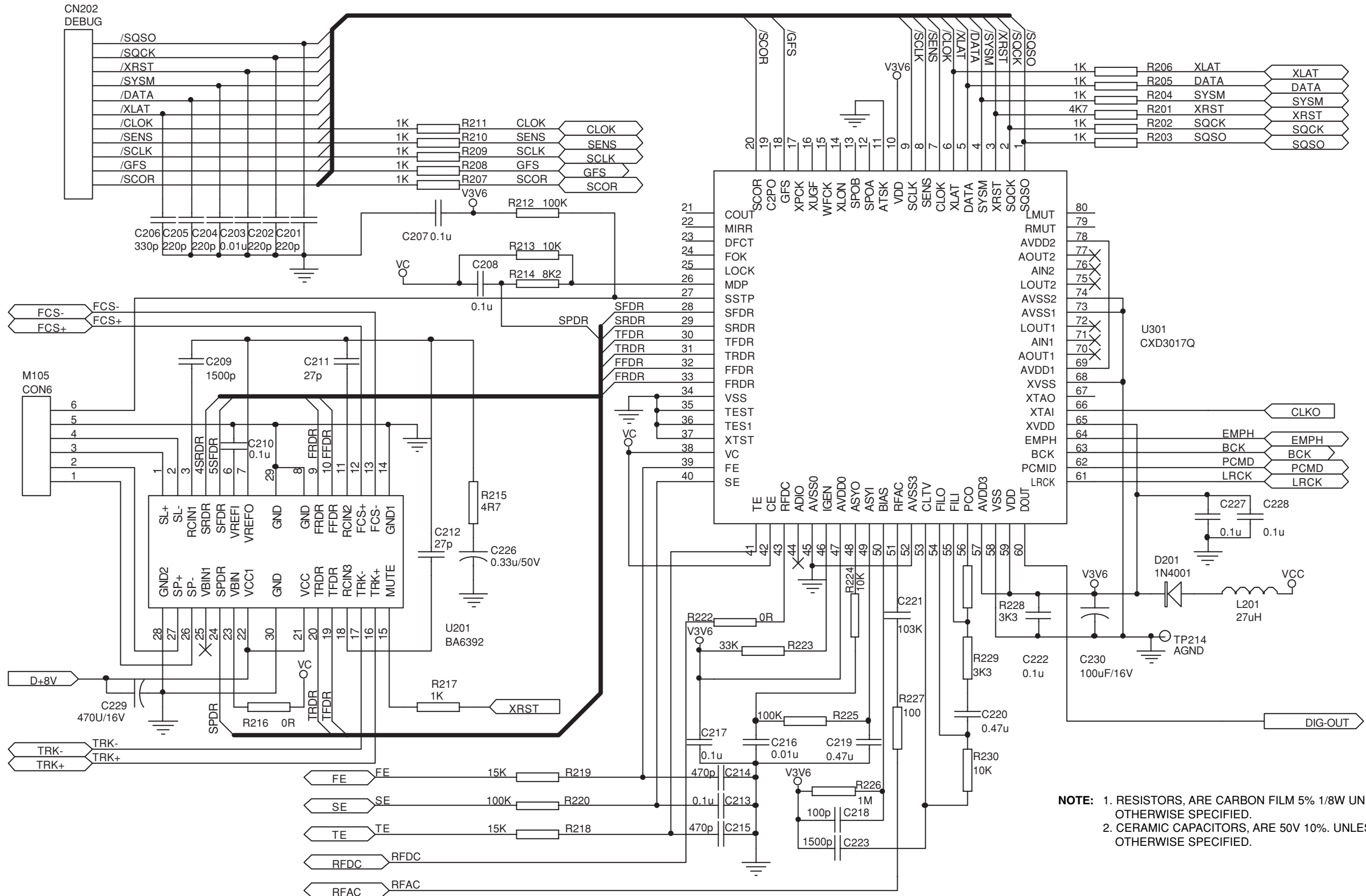


WIRING DIAGRAM



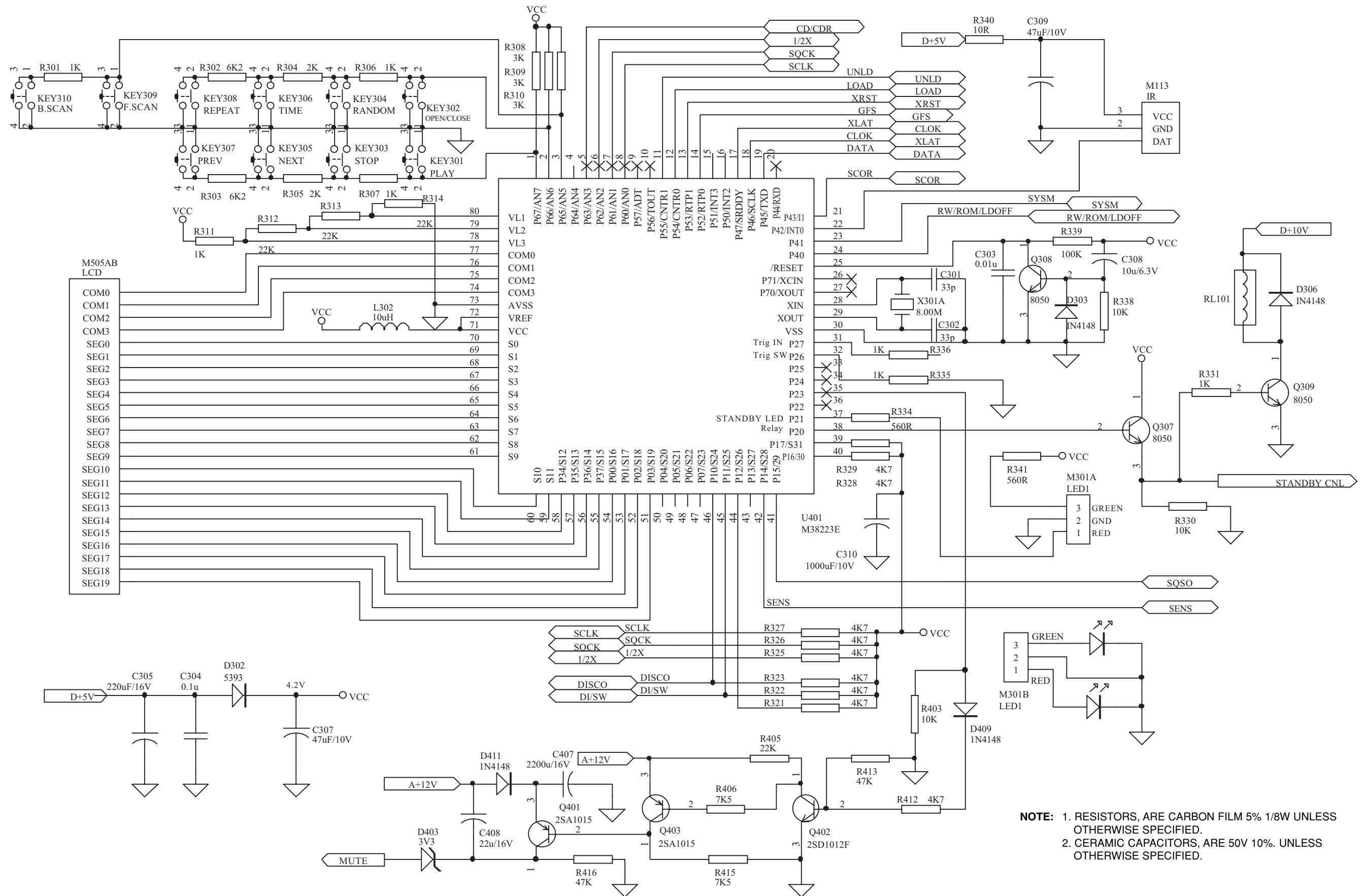
SCHEMATIC DIAGRAM

DISPLAY



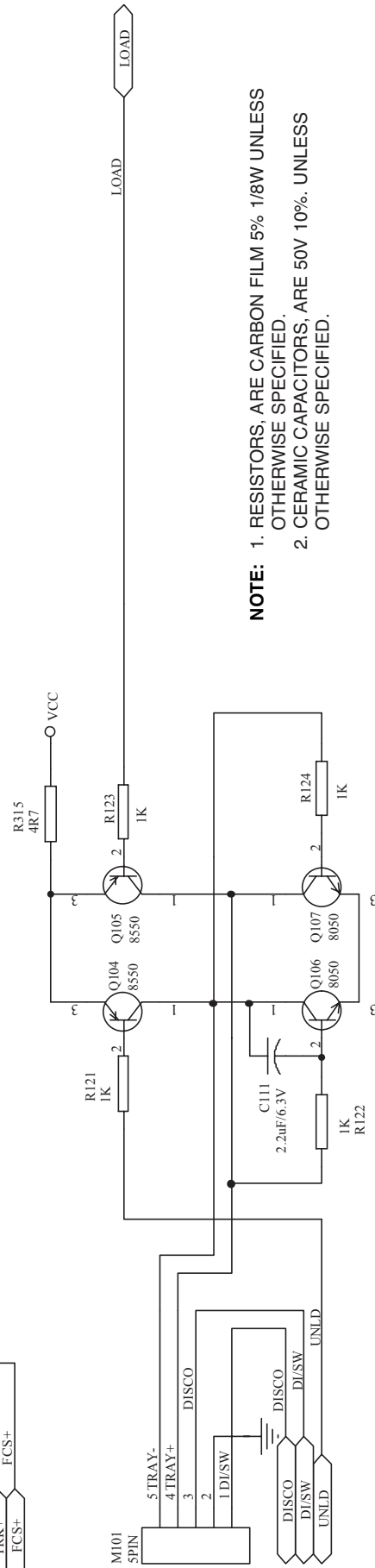
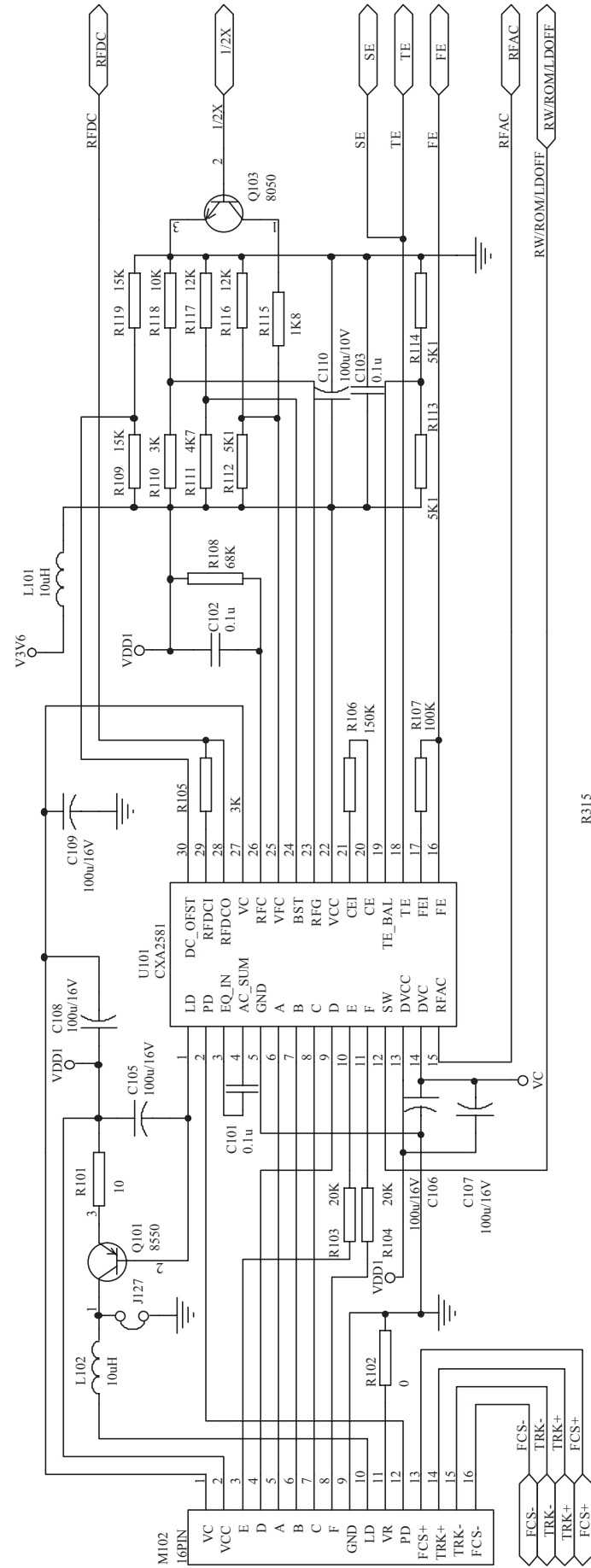
NOTE: 1. RESISTORS, ARE CARBON FILM 5% 1/8W UNLESS OTHERWISE SPECIFIED.
2. CERAMIC CAPACITORS, ARE 50V 10%. UNLESS OTHERWISE SPECIFIED.

MCU



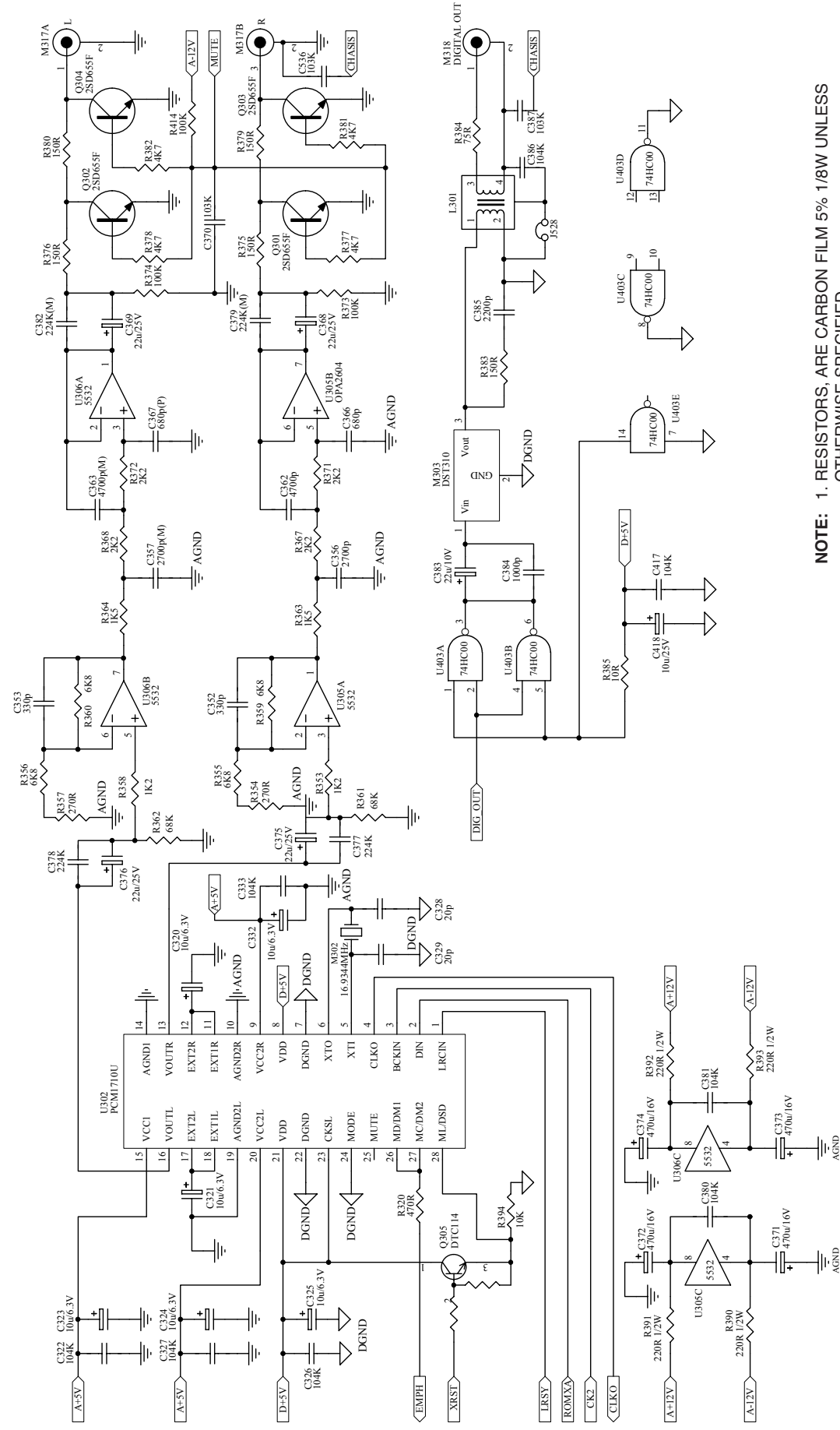
NOTE: 1. RESISTORS, ARE CARBON FILM 5% 1/8W UNLESS OTHERWISE SPECIFIED.
 2. CERAMIC CAPACITORS, ARE 50V 10%. UNLESS OTHERWISE SPECIFIED.

RF AMP



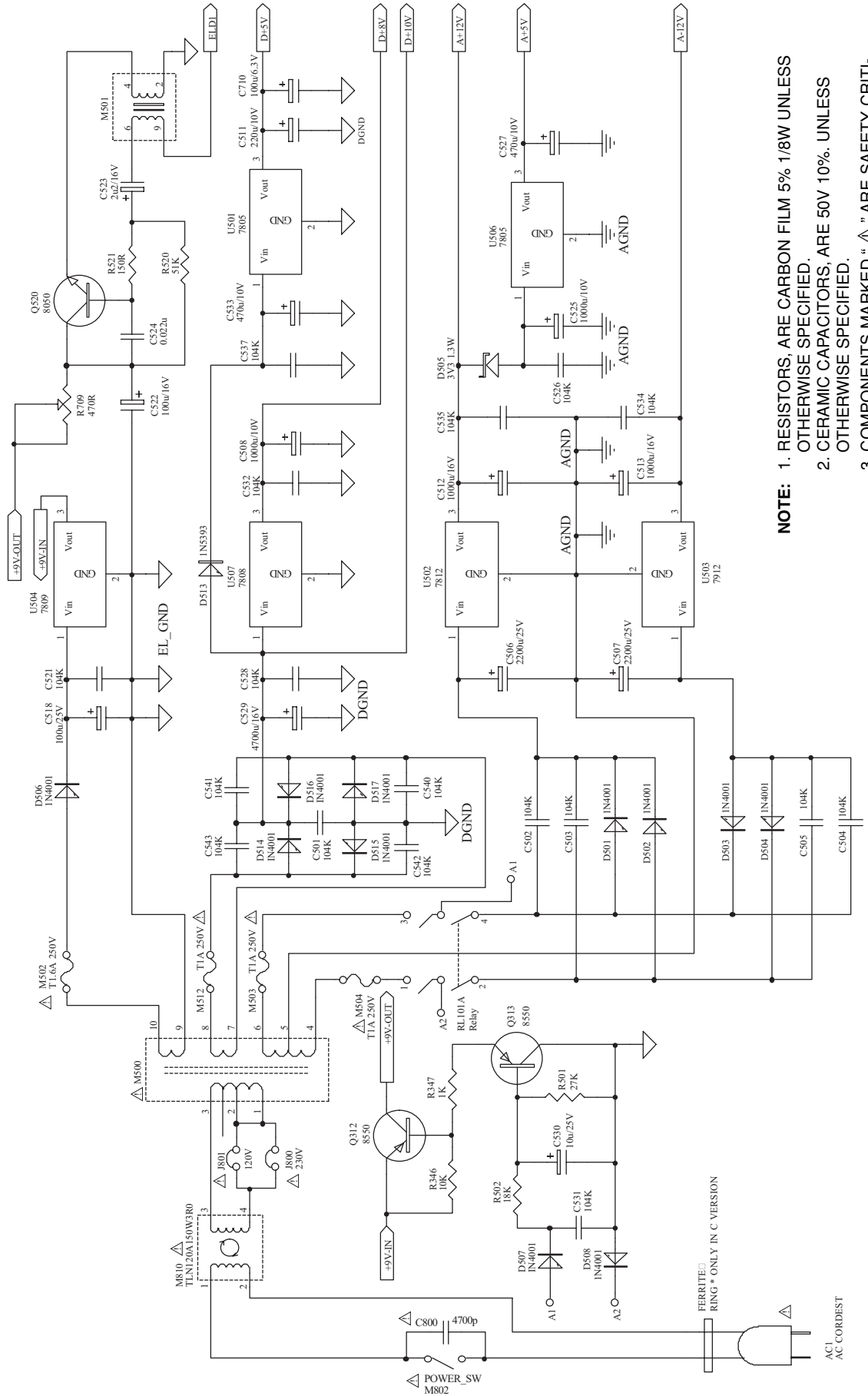
NOTE: 1. RESISTORS, ARE CARBON FILM 5% 1/8W UNLESS OTHERWISE SPECIFIED.
2. CERAMIC CAPACITORS, ARE 50V 10%, UNLESS OTHERWISE SPECIFIED.

DAC



NOTE: 1. RESISTORS, ARE CARBON FILM 5% 1/8W UNLESS OTHERWISE SPECIFIED.
2. CERAMIC CAPACITORS, ARE 50V 10%, UNLESS OTHERWISE SPECIFIED.

POWER

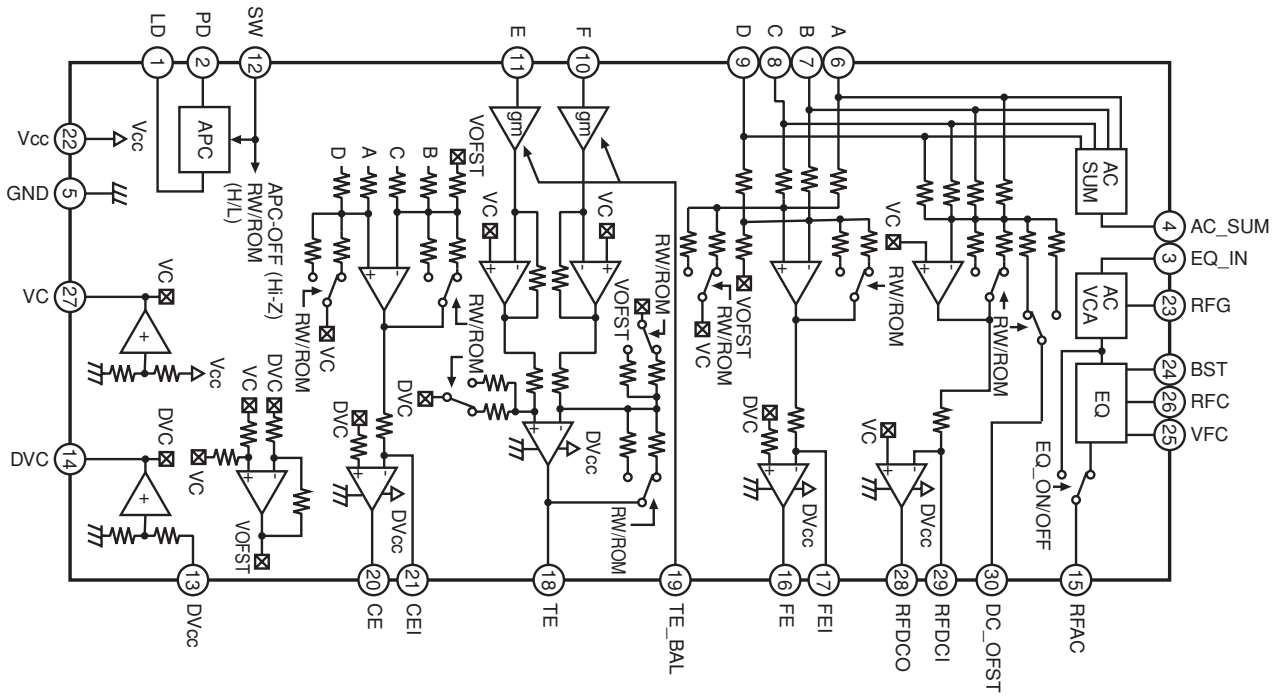


NOTE: 1. RESISTORS, ARE CARBON FILM 5% 1/8W UNLESS OTHERWISE SPECIFIED.
 2. CERAMIC CAPACITORS, ARE 50V 10%. UNLESS OTHERWISE SPECIFIED.
 3. COMPONENTS MARKED "△" ARE SAFETY CRITICAL PARTS.

IC BLOCK DIAGRAM

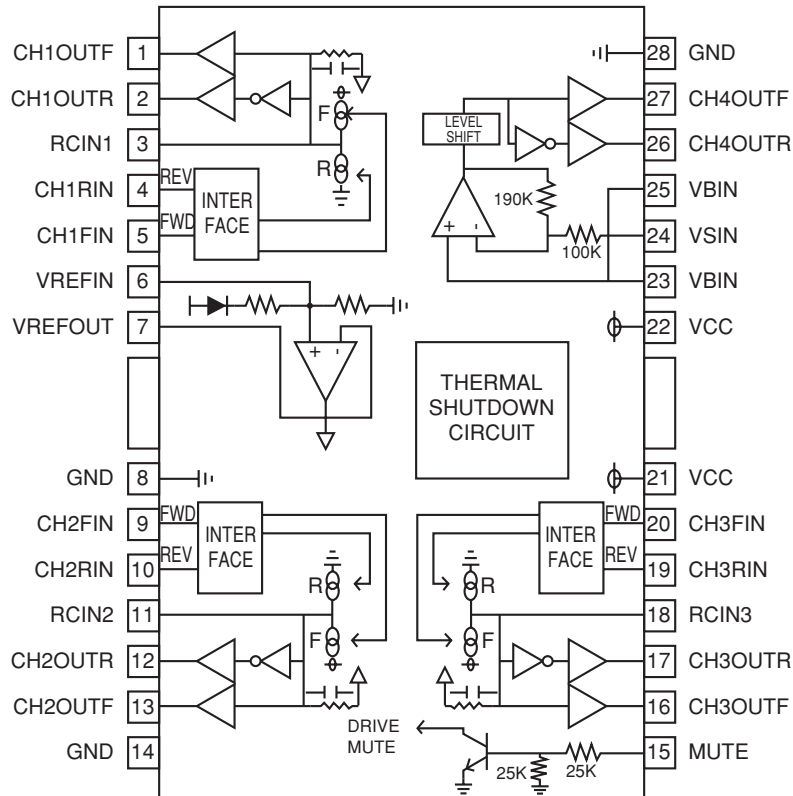
MAIN BOARD

U101: CXA2581N

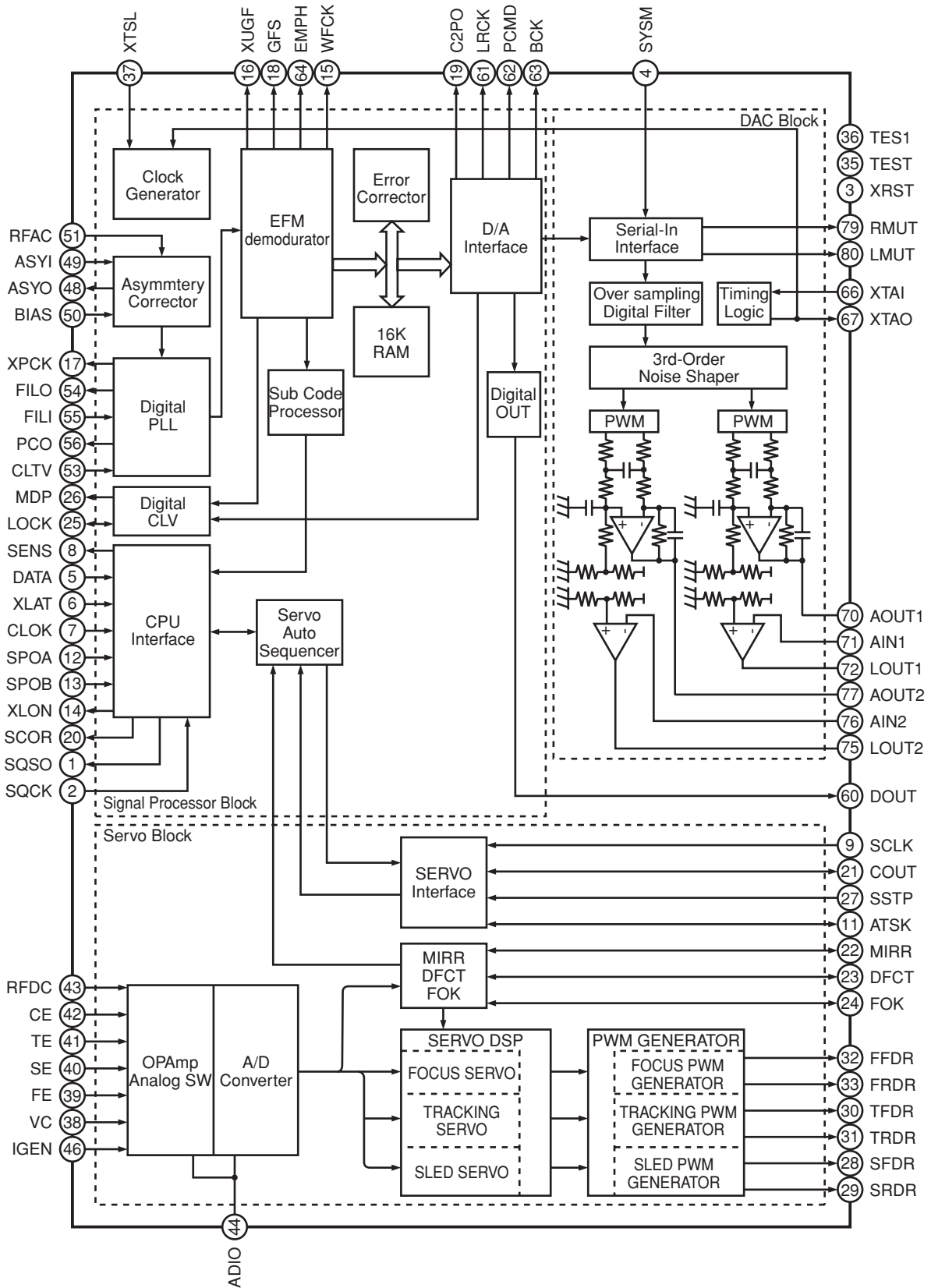


MAIN BOARD

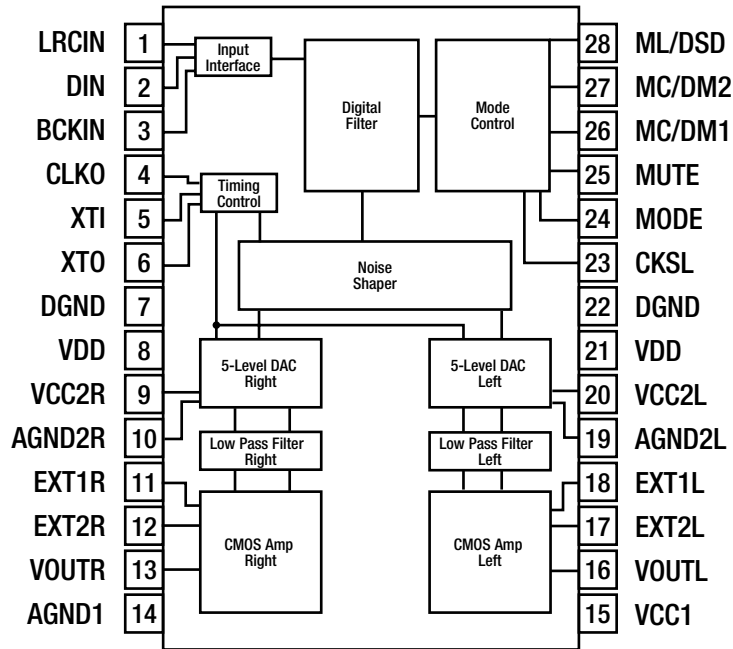
U201: BA6392FP



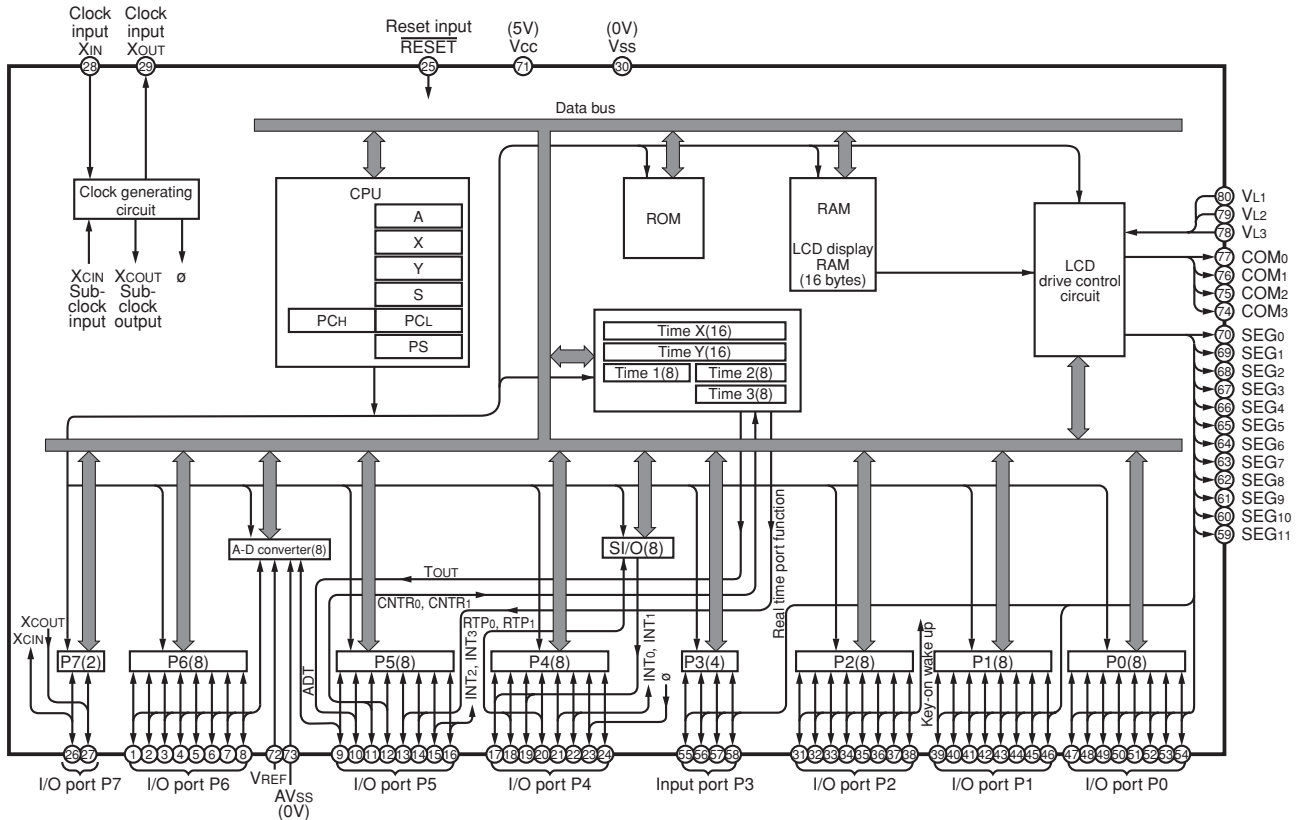
MAIN BOARD
U301: CXD3017Q



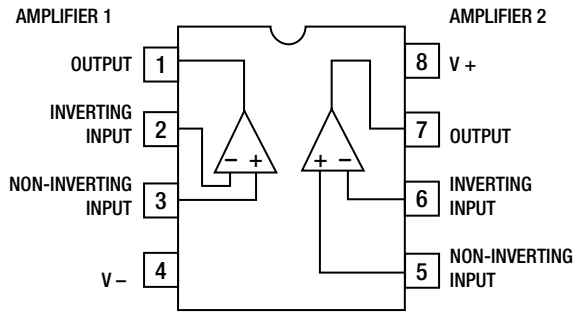
MAIN BOARD
U302: PCM1710U



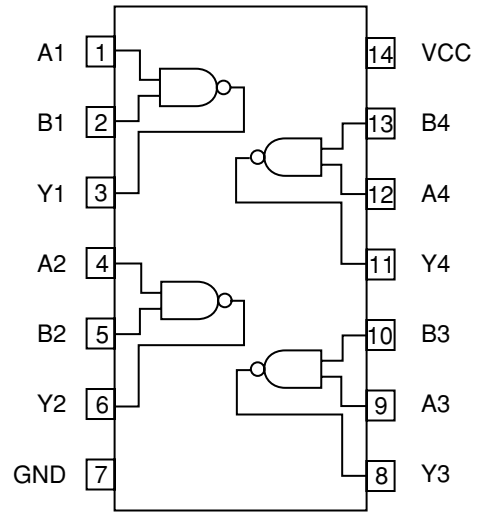
MAIN BOARD
U401: M38223E4HP4



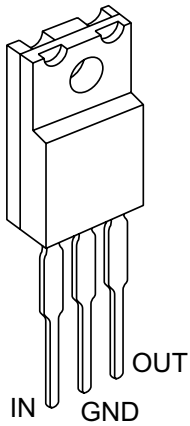
MAIN BOARD
U305, U306: NE5532



MAIN BOARD
U403: TC74HC00AP



MAIN BOARD
U501, U502, U504,
U506, U507: 78XX



MAIN BOARD
U503: UPC79M12HF

